



AKTIVA

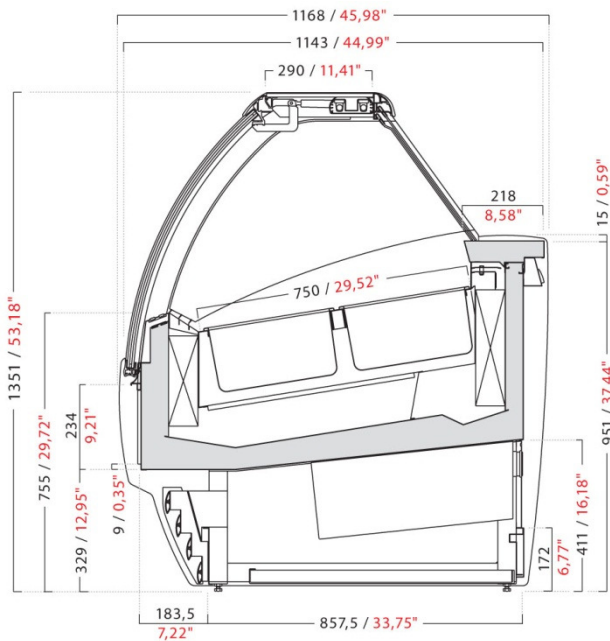
gelato display case



GOST STANDARD

CARATTERISTICHE TECNICHE	TECHNICAL SPECIFICATIONS	OPTIONAL	OPTIONALS
<ul style="list-style-type: none"> - vasca monoblocco schiumata in poliuretano iniettato a 40 kg/m3 - castello vetri in alluminio anodizzato - chiusura con pannelli scorrevoli in plexiglas - termostato elettronico con visualizzatore temperatura e ripetitore lato cliente - vetri frontali e laterali camera, temperati, pirolitici, riscaldati - vetro frontale apribile verso l'alto - piano espositivo inclinato di 9° - refrigerazione ventilata con doppio evaporatore - sbrinamento a gas caldo o inversione di ciclo 	<ul style="list-style-type: none"> - monobloc foam tank insulated with injected polyurethane (40 kg/m3) - glass structure in anodized aluminium - rear closure with sliding Plexiglas panels - electronic thermostat with temperature display and relative repeater on customer's side - heated, tempered, pyrolytic, double glass fronts and sides - the glass front opens upwards - display surface tilted at a 9° angle - Ventilated refrigeration system with double evaporator - Hot gas or reverse cycle defrosting system 	<ul style="list-style-type: none"> - vaschette gelato 360x165 - vaschette gelato 360x250 - illuminazione LED - segnapasti a LED luminosi - lavaporzatore - piano porta torte - ruote - modulo con temperatura differenziata - unità condensatrice remota - tropicalizzazione: unità condensatrice remota testata a +43°C ambiente 	<ul style="list-style-type: none"> - gelato pans: 360x165 mm / 14.17"x6.5" - gelato pans: 360x250 mm / 14.17"x9.84" - LED lighting - LED-lit flavour cards - scoop washer - stainless steel cakes tray - castor wheels - differentiated temperature unit - remote condensing unit - tropicalization: remote condensing unit tested at +43°C / 109.4°F ambient temperature

SEZIONI SECTION VIEWS



H 1351 mm / 53.18"

MODULI E VASCHE GELATO UNITS AND GELATO PAN LAYOUTS

	*1100 / *43.30"	*1600 / *62.99"	*2100 / *82.67"	*3200 / *125.98"	1/30°	2/30°	2/45°
360x165 14.2"x6.5"							
	6+6	9+9	12+12	18+18	5+6	6+5	6+4
360x250 14.2"x9.8"							
	4+4	6+6	8+8	12+12	3+4	4+3	4+3
<p>Vaschette gelato trapezoidali di capienza equivalente alle vaschette 360x165 mm Trapezoidal gelato pans with the same capacity of the 360x165 mm / 14.17"x6.5" pans</p>							
*misure senza fianchi: 1 fianco spessore 45 mm / *end panels not included: 1 end panel 45 mm / 1.77" thick					6+7	7+6	7+5


CAPIENZA VASCHE GELATO GELATO PAN CAPACITY


360x165 mm 14.17"x6.5"	H 120 mm / H 4.72" → 5 litri / 5 liters	360x250 mm 14.17"x9.84"	H 80 mm / H 3.15" → 5,5 litri / 5.5 liters
	H 150 mm / H 5.91" → 7 litri / 7 liters		H 120 mm / H 4.72" → 8,5 litri / 8.5 liters
			H 150 mm / H 5.91" → 10,5 litri / 10.5 liters

DIMENSIONI, IMBALLO E PESO DIMENSIONS, PACKAGING AND WEIGHT


	MODELLO MODEL	LUNGHEZZA con 2 fianchi LENGTH with 2 end panels		PROFONDITÀ DEPTH		PESO WEIGHT		DIMENSIONE IMBALLO PACKAGING DIMENSIONS		PESO TOTALE prodotto+imballo TOTAL WEIGHT product+packing	
		mm	in	mm	in	kg	lb	mm	in	kg	lb
		H 1351 mm / 53.19"	1100	1190	46.85"	1168	45.98"	240	529	1294x1311xH1359	50.9"x51.6"xH61.4"
1600	1690		66.54"	1168	45.98"	335	739	1794x1311xH1359	70.6"x51.6"xH61.4"	414	913
2100	2190		86.22"	1168	45.98"	425	937	2270x1311xH1359	89.4"x51.6"xH61.4"	522	1151
3200	3290		129.53"	1168	45.98"	550	1213	3394x1311xH1359	133.6"x51.6"xH61.4"	692	1526
1/30°	1602		63.07"	1168	45.98"	325	717	1749x1363xH1359	68.9"x53.7"xH61.4"	405	893
2/30°	1608		63.31"	1168	45.98"	325	717	1749x1363xH1359	68.9"x53.7"xH61.4"	405	893
2/45°	1644		64.72"	1168	45.98"	325	717	1749x1363xH1359	68.9"x53.7"xH61.4"	405	893

DATI TECNICI TECHNICAL SPECIFICATIONS

		UC CON MOTORE A BORDO WITH BUILT-IN AIR-COOLED CONDENSING UNIT					TENSIONE E FREQUENZA VOLTAGE AND FREQUENCY V/Ph/Hz 208-220/1/60					
MODELLO MODEL	POTENZA COMP. HP	POTENZA ASSORBITA POWER INPUT		MCA	MOP	RESA YIELD		CLASSE CLIMATICA CLIMATE CLASS			TEMPERATURA DI ESERCIZIO WORKING TEMPERATURE	
	HP	W	A	A	A	W/h -30°C	BTU/h -22°F	°C	°F	U.R. R.H.	°C	°F
1100	2	1942	11.61	13	19	1500	5.115	35°C	95°F	60%	-2°C;-18°C	+28.4°F;-0.4°F
1600	2	2066	12.26	13	19	1500	5.115	35°C	95°F	60%	-2°C;-18°C	+28.4°F;-0.4°F
2100	2	2270	13.42	14	20	1500	5.115	30°C	86°F	55%	-2°C;-18°C	+28.4°F;-0.4°F
1/30°	2	1954	11.66	13	19	1500	5.115	35°C	95°F	60%	-2°C;-18°C	+28.4°F;-0.4°F
2/30°	2	2027	12.07	13	19	1500	5.115	35°C	95°F	60%	-2°C;-18°C	+28.4°F;-0.4°F
2/45°	2	1897	11.11	12	18	1500	5.115	35°C	95°F	60%	-2°C;-18°C	+28.4°F;-0.4°F

		UC CON MOTORE A BORDO WITH BUILT-IN AIR-COOLED CONDENSING UNIT					TENSIONE E FREQUENZA VOLTAGE AND FREQUENCY TRIFASE - V/Ph/Hz 400/3/50 MONOFASE - V/Ph/Hz 230/1/50						
MODELLO MODEL	POTENZA ASSORBITA POWER INPUT		RESA YIELD		CLASSE CLIMATICA CLIMATE CLASS			TEMPERATURA DI ESERCIZIO WORKING TEMPERATURE					
	trifase 400/3/50		monofase 230/1/50		trifase 400/3/50		monofase 230/1/50		°C	°F	U.R. R.H.	°C	°F
	W	A	W	A	W/h -30°C	BTU/h -22°F	W/h -30°C	BTU/h -22°F					
1100	1642	5.34	1849	9.04	1200	4.092	1085	3.700	35°C	95°F	60%	-2°C;-18°C	+28.4°F;-0.4°F
1600	2216	7.70	2136	11.40	1580	5.388	1750	5.968	35°C	95°F	60%	-2°C;-18°C	+28.4°F;-0.4°F
2100	2790	10.35	2340	12.45	2100	7.161	1750	5.968	35°C	95°F	60%	-2°C;-18°C	+28.4°F;-0.4°F
3200	3442	14.35			2780	9.480			35°C	95°F	60%	-2°C;-18°C	+28.4°F;-0.4°F
1/30°	1654	5.39	1861	9.09	1200	4.092	1085	3.700	35°C	95°F	60%	-2°C;-18°C	+28.4°F;-0.4°F
2/30°	1727	5.71	1934	9.41	1200	4.092	1085	3.700	35°C	95°F	60%	-2°C;-18°C	+28.4°F;-0.4°F
2/45°	1597	4.74	1804	8.44	1200	4.092	1085	3.700	35°C	95°F	60%	-2°C;-18°C	+28.4°F;-0.4°F
1600 TD*	2331	9.07	2538	12.77	1190 + 615	4.058 + 2.097	1085 + 615	3.700 + 2.097	35°C	95°F	60%	-2°C;-18°C	+28.4°F;-0.4°F
2100 TD*	2905	11.64	2825	15.34	1580 + 615	5.388 + 2.097	1750 + 615	5.968 + 2.097	35°C	95°F	60%	-2°C;-18°C	+28.4°F;-0.4°F
3200 TD*	4122	14.10	3962	21.50	1580 + 1580	5.388 + 5.388	1750 + 1750	5.968 + 5.968	35°C	95°F	60%	-2°C;-18°C	+28.4°F;-0.4°F

*TD = vetrina con settore con temperatura differenziata Showcase with a sector with differentiated temperature

		CON MOTORE REMOTO ENTRO 22 METRI WITH CONDENSING UNIT WITHIN 22 METERS					TENSIONE E FREQUENZA / VOLTAGE AND FREQUENCY TRIFASE - V/Ph/Hz 400/3/50				
MODELLO MODEL	POTENZA ASSORBITA POWER INPUT		RESA YIELD		CLASSE CLIMATICA CLIMATE CLASS			TEMPERATURA DI ESERCIZIO WORKING TEMPERATURE			
	trifase 400/3/50		trifase 400/3/50		trifase 400/3/50		°C	°F	U.R. R.H.	°C	°F
	W	A	W/h -30°C	BTU/h -22°F							
1100	1662	4.87	1580	5.388			35°C	95°F	60%	-2°C;-18°C	+28.4°F;-0.4°F
1600	2156	7.02	2100	7.161			35°C	95°F	60%	-2°C;-18°C	+28.4°F;-0.4°F
2100	2280	5.58	2100	7.161			35°C	95°F	60%	-2°C;-18°C	+28.4°F;-0.4°F
3200	3602	13.27	3100	10.571			35°C	95°F	60%	-2°C;-18°C	+28.4°F;-0.4°F
1/30°	1674	4.92	1580	5.388			35°C	95°F	60%	-2°C;-18°C	+28.4°F;-0.4°F
2/30°	1747	5.23	1580	5.388			35°C	95°F	60%	-2°C;-18°C	+28.4°F;-0.4°F
2/45°	1697	5.02	1580	5.388			35°C	95°F	60%	-2°C;-18°C	+28.4°F;-0.4°F
1100 TD*	1227 + 635	4.86 + 2.2	865 + 865	2.950 + 2.950			35°C	95°F	60%	-2°C;-18°C	+28.4°F;-0.4°F
1600 TD*	2056 + 635	6.62 + 2.2	1580 + 865	5.688 + 2.950			35°C	95°F	60%	-2°C;-18°C	+28.4°F;-0.4°F
2100 TD*	2550 + 635	8.79 + 2.2	2100 + 865	7.161 + 2.950			35°C	95°F	60%	-2°C;-18°C	+28.4°F;-0.4°F
3200 TD*	2832 + 1710	10.10 + 5.0	2100 + 2100	7.161 + 7.161			35°C	95°F	60%	-2°C;-18°C	+28.4°F;-0.4°F