

## MEASURES



FIG. 1

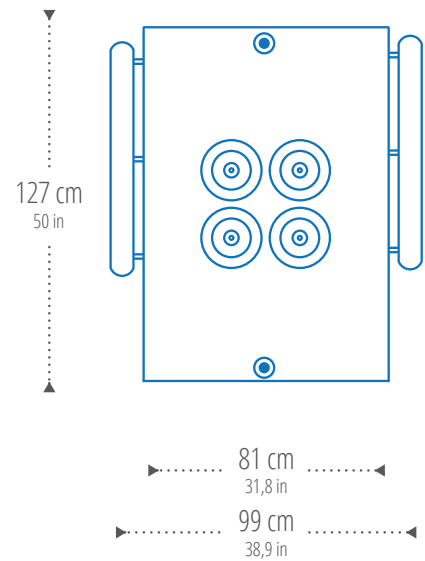


FIG. 2

## TECHNICAL SPECIFICATIONS

<b>DIMENSIONS (WxHxD) CM</b>	99x127x100
<b>COUNTERTOP DIMENSIONS (WxD) CM</b>	81x127
<b>ROOF HEIGHT CM</b>	100
<b>TENT SIZE CM</b>	114x141x20

<b>EMPTY WEIGHT KG</b>	about 240
<b>LOAD CAPACITY</b>	4 carapins (5kg each) total 20kg

<b>COLD STORE INSULATION</b>	Injected polyurethane without HCFC/CFC
<b>COOLING SYSTEM</b>	Glycol refrigeration
<b>COLD STORE CHARACTERISTICS</b>	Condensing hermetic system with motor fan, temperature control, copper evaporator
<b>OPERATING COLD ROOM TEMPERATURE</b>	-25°/+5°C
<b>OPERATING AMBIENT TEMPERATURE</b>	from 0° to 35°C
<b>COLD AUTONOMY</b>	4/5 hours

<b>BODY</b>	Painted aluminium
<b>OVERLAY</b>	Telescopic and removable tent in stainless steel
<b>LIGHTING</b>	Removable LED light in stainless steel
<b>WORKTOP</b>	Stainless steel

<b>POWER SUPPLY</b>	240V/50Hz or 110V/60Kz
<b>POWER CONSUMPTION</b>	350W

FIG. 3



Subject to technical modifications

