



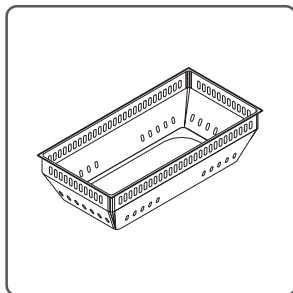
Since 1962



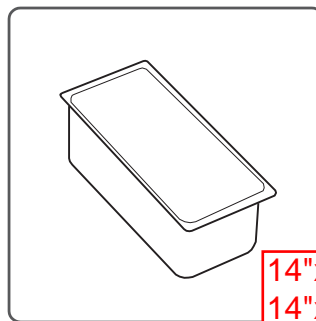
Fifty years for innovation

Panorama Technology: New Accessories

We developed a specific upper tray of injection-moulded polycarbonate for a gelato pan, as an alternative of two gelato tubs.

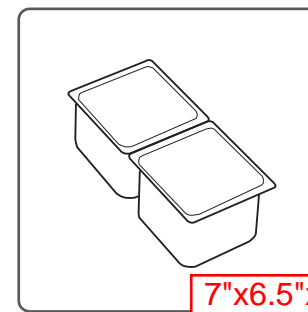


Upper tray of injection-moulded polycarbonate for gelato pan



14"x6.5"x4.8"
14"x6.5"x6"

Single gelato pan
360x165mm H 120 or H 150



7"x6.5"x6"

N° 2 gelato pans
180x165mm H 150

