



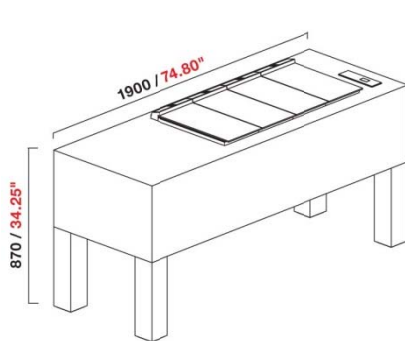
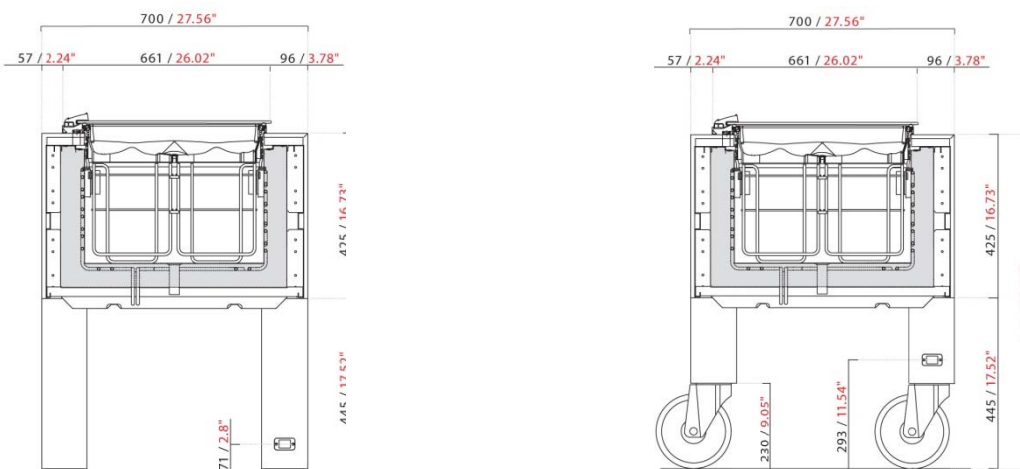
BELLEVUE

GELATO GELATO DISPLAY CASE

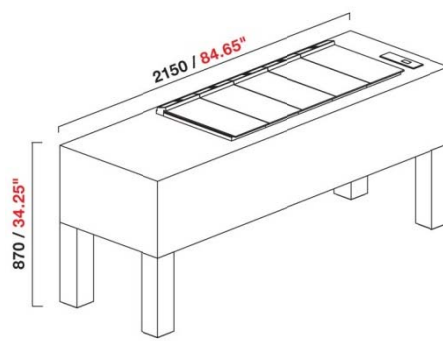


CARATTERISTICHE TECNICHE		TECHNICAL SPECIFICATIONS	
<ul style="list-style-type: none"> - struttura portante realizzata con tubolari e scatolati in lamiera zincata - rivestimento esterno in stratificato colore cemento, bianco, nero o "wood" - vasca pozzetti PANORAMA senza riserva - chiusura ermetica con ante in vetro piro litico, temperato e riscaldato 	<ul style="list-style-type: none"> - illuminazione LED - sistema anti-rotazione delle carapine - refrigerazione ventilata - pannello comandi elettronico - monore a bordo - sbrinamento manuale con arresto dell'impianto 	<ul style="list-style-type: none"> - tubular and box-section supporting structure made of galvanized sheet metal - layered outer coating available in the following colours: concrete-coloured, white, black or "wood" finish - one level PANORAMA pozzetti tank - tempered and heated airtight glass closure system 	<ul style="list-style-type: none"> - LED lighting - exclusive tubs anti-rotation system - inner basin in stainless steel with drain - ventilated refrigeration system - electronic control panel - on board condenser - manual defrost function with system stoppage

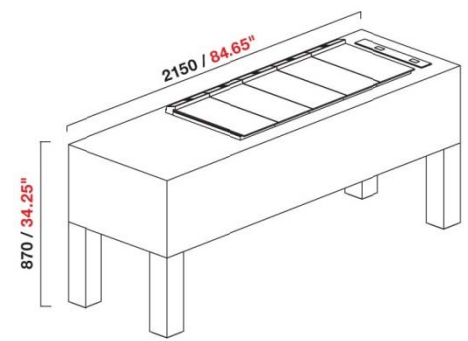
SEZIONI SECTION VIEWS



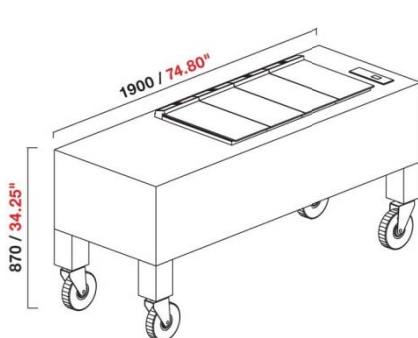
BELLEVUE 8 pozzetti – 1 temperatura
BELLEVUE 8 pozzetti holes – 1 temperature



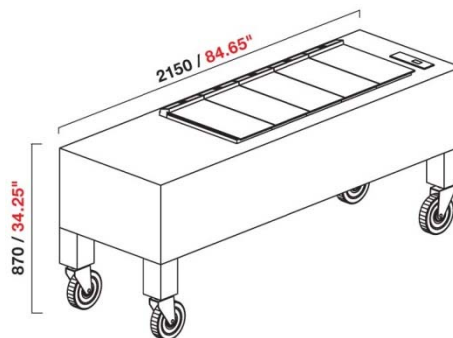
BELLEVUE 10 pozzetti – 1 temperatura
BELLEVUE 10 pozzetti holes – 1 temperature



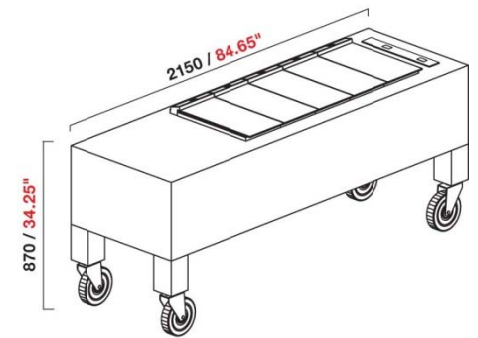
BELLEVUE TD* 6+4 pozzetti – 2 temperature
BELLEVUE TD* 6+4 pozzetti holes – 2 temperatures
*TD = temperatura differenziata / dual temperature



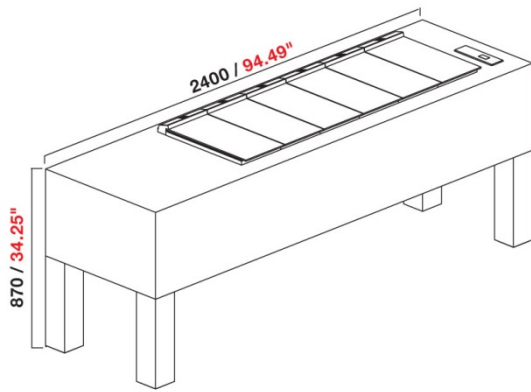
BELLEVUE con ruote 8 pozzetti – 1 temperatura
BELLEVUE 8 holes with castors – 1 temperature



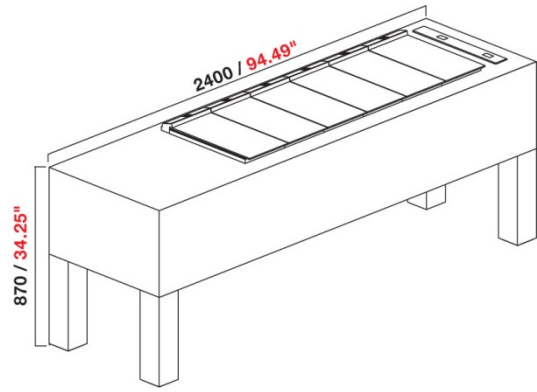
BELLEVUE con ruote 10 pozzetti – 1 temperatura
BELLEVUE 10 holes with castors – 1 temperature



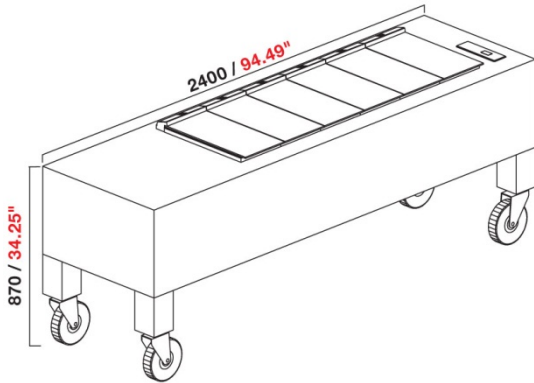
BELLEVUE TD* con ruote 6+4 pozzetti – 2 temperature
BELLEVUE TD* 6+4 holes with castors – 2 temperatures
*TD = temperatura differenziata / dual temperature



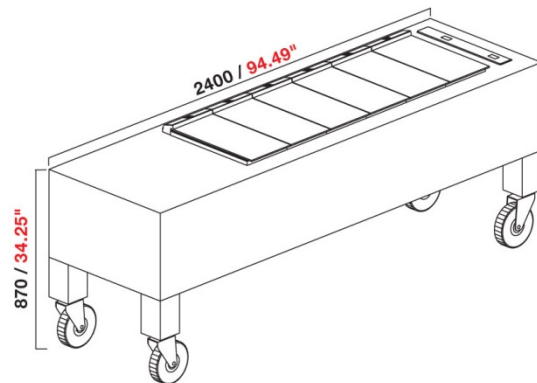
BELLEVUE 12 pozzetti – 1 temperatura
BELLEVUE 12 pozzetti holes – 1 temperature



BELLEVUE TD* 8+4 pozzetti – 2 temperature
BELLEVUE TD* 8+4 pozzetti holes – 2 temperatures
 *TD = temperatura differenziata / dual temperature



BELLEVUE con ruote 12 pozzetti – 1 temperatura
BELLEVUE with castors 12 pozzetti holes – 1 temperature



BELLEVUE TD* con ruote 8+4 pozzetti – 2 temperature
BELLEVUE TD* with castors 8+4 pozzetti holes – 2 temperatures
 *TD = temperatura differenziata / dual temperature

DIMENSIONI, PESO E IMBALLO DIMENSIONS, WEIGHT AND PACKAGING

MODELLO MODEL	LUNGHEZZA LENGTH		PROFONDITÀ DEPTH		ALTEZZA HEIGHT		PESO WEIGHT		DIMENSIONE IMBALLO PACKAGING DIMENSIONS		PESO con imballo CRATED WEIGHT	
	mm	in	mm	in	mm	in	kg	lb	mm	in	kg	lb
L 1900	1900	74.80"	700	27.56"	870	34.25"	260	573	2124x911xH1217	83.6"x35.9"xH47.9"	324	714
L 2150	2150	84.65"	700	27.56"	870	34.25"	285	628	2624x911xH1217	103.3"x35.9"xH47.9"	363	800
L 2400	2400	94.49"	700	27.56"	870	34.25"	310	683	2624x911xH1217	103.3"x35.9"xH47.9"	388	855

DATI TECNICI TECHNICAL SPECIFICATIONS

MODELLO MODEL	POTENZA COMP. HP	BREAKER SIZE	MCA	MOP	RESA CAPACITY		CLASSE CLIMATICA CLIMATE CLASS			TEMPERATURA DI ESERCIZIO OPERATING TEMPERATURE	
					W/h -30°C	BTU/h -22°F	°C	°F	U.R. R.H.	°C	°F
8 fori/holes	5/8	8	6	8	502	1.712	30°C	86°F	55%	-2°C; -18°C	+28.4°F; -0.4°F
10 fori/holes TD 6+4 fori/holes 12 fori/holes TD 4+8 fori/holes	5/8	8	6	9	502	1.712	30°C	86°F	55%	-2°C; -18°C	+28.4°F; -0.4°F

MODELLO MODEL	POTENZA ASSORBITA CURRENT CONSUMPTION		RESA COOLING CAPACITY		CLASSE CLIMATICA CLIMATE CLASS			TEMPERATURA DI ESERCIZIO OPERATING TEMPERATURE	
	W	A	W/h -30°C	BTU/h -22°F	°C	°F	U.R. R.H.	°C	°F
8 fori/holes	746	3.95	615	2.100	30°C	86°F	55%	-2°C; -18°C	+28.4°F; -0.4°F
10 fori/holes 6+4 fori/holes	792	4.15	615	2.100	30°C	86°F	55%	-2°C; -18°C	+28.4°F; -0.4°F
12 fori/holes TD 4+8 fori/holes	838	4.35	615	2.100	30°C	86°F	55%	-2°C; -18°C	+28.4°F; -0.4°F